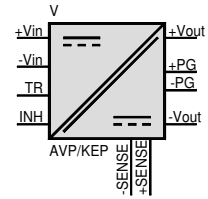


DIN EN ISO 9001
certified

DC-DC Converter AVP/KEP - Case Options Output power 200 Watts

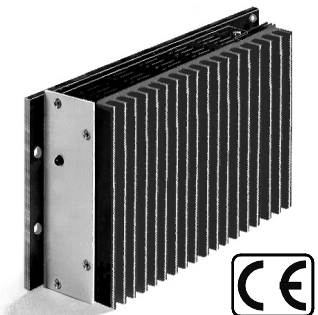
Electrical data like DC-DC converter AVP/KEP
Chassis mounting



Special Features

- Cassette for chassis mounting on power loss dissipating metal surface (heatsink)
- Extremely low thermal stress of sensitive components due to dissipated power loss over mounting surface
- Necessary thermal resistance of mounting surface (heatsink) $\leq 0,75 \text{ K/W}$
- Permissible temperature rise of mounting surface (heatsink) $\Delta\vartheta_{\text{Hper}} \leq 30\text{K}$

Dimensions see drawing AVP/KEP-C



Special Features

- Cassette for chassis mounting on no power loss dissipating surface
- Extremely low thermal stress of sensitive components due to dissipated power loss over lateral heatsink
- Recommended minimum distance of 15 mm between heatsink and next part to ensure proper air circulation at full output power

Dimensions see drawing AVP/KEP-F

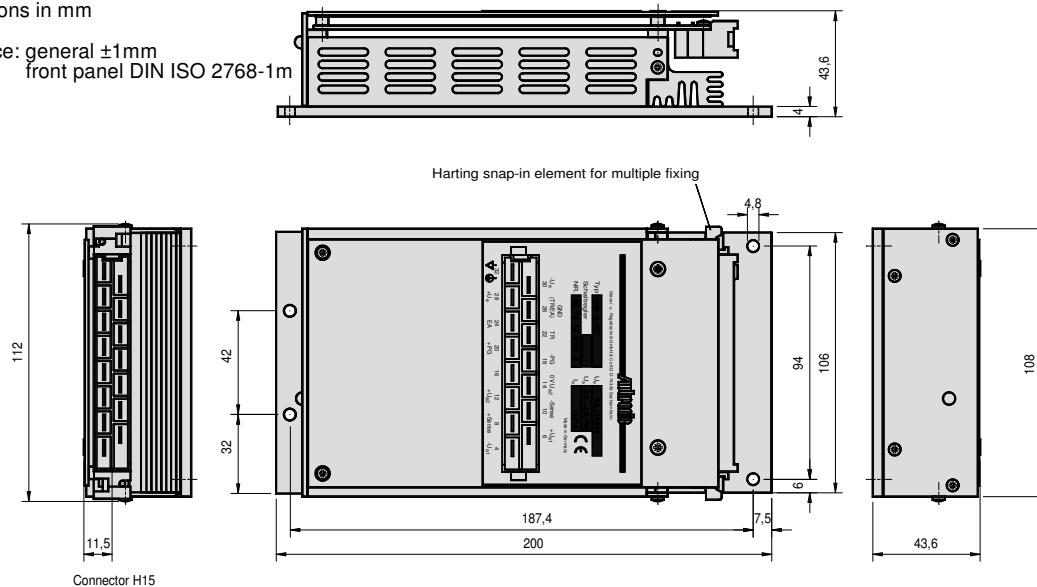
Specifications

Supplementary types and electrical data of the converters according to the documentation in the datasheet AVP/KEP (09 50 00 3001 9). Order numbers on request.

Drawing AVP/KEP-C

Dimensions in mm

Tolerance: general $\pm 1\text{mm}$
front panel DIN ISO 2768-1m



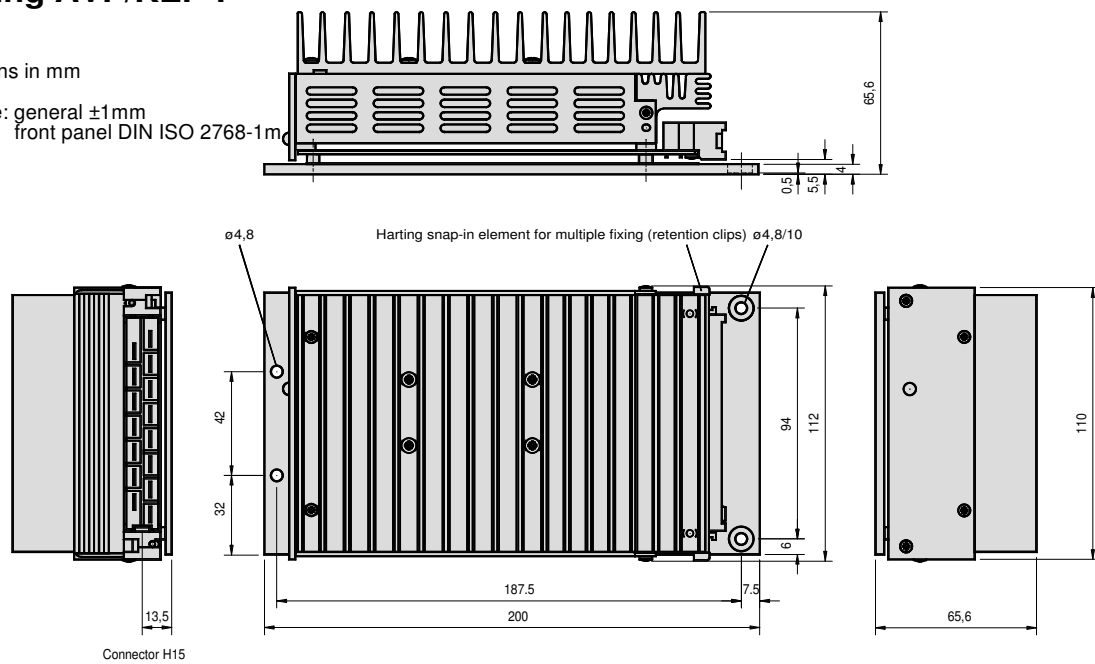
Weight: 1000 g

DC-DC Converter AVP/KEP - Case Options

Drawing AVP/KEP-F

Dimensions in mm

Tolerance: general ± 1 mm
front panel DIN ISO 2768-1m



Weight: 1200 g

Specifications subject to change without notice

Autronic Steuer- und Regeltechnik GmbH & Co. KG
Siemensstr.17
D-74343 Sachsenheim
Telephone +49 7147 24-0
Telefax +49 7147 24-252
<http://www.autronic.de>